

# MYERS® MCU SERIES

The ideal solution for automatically removing liquid condensation from air conditioning and heating systems, refrigeration equipment and much more.

## APPLICATIONS

Air conditioners, dehumidifiers, ice makers, high-efficiency furnaces, refrigeration systems, and water coolers



## SPECIFICATIONS

**Housing** – ABS, high temperature, acid resistant thermoplastic

**Check Valve Included**

**Shut Off Head** – 20 ft. (MCU20S) and 15 ft. (MCU15/15S)

**Discharge** – 3/8" I.D. plastic tubing (not included)

**Tank Capacity** – 2 quarts

**Motor/Electrical Data** – Bearingless sealed motor, 115V, 1.45A, 1Ø, 60Hz

**Capacity** – Up to 200 gallons per hour

## FEATURES

### High Lift Capacity (MCU20S)

Powerful motor lifts liquid up to 20 feet

### Easy Fit

4-3/4" low-profile design fits most applications

### Built-in Safety Switch (MCU15S/MCU20S)

Shuts down furnace/air conditioner before tank overflows

### Thermal Overload Protection

#### Durable, Corrosion Resistant

High-impact thermoplastic resists corrosion and 190°F intermittent liquid temperature

#### Extended Life

Sealed motor provides longer service life than similar condensate units

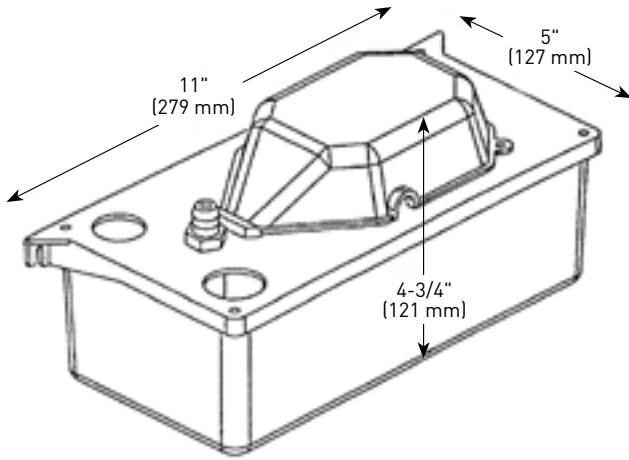
#### 6 ft. Power Cord

## ORDERING INFORMATION

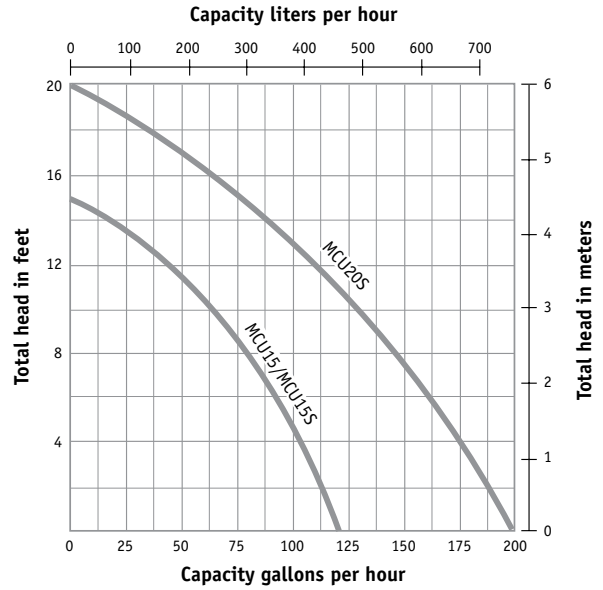
Catalog Number	Volts	Phase/Cycles	Amps	Cord Length	Approx. Wt. Lbs.
MCU15	115	1/60	1.45	6'	3.25
MCU15S	115	1/60	1.45	6'	3.25
MCU20S	115	1/60	1.45	6'	3.25

# MYERS® MCU SERIES

## DIMENSIONS



## PUMP PERFORMANCE



Catalog Number	Gallons per Hour at Discharge Head in Feet				
	0'	5'	10'	15'	20'
MCU15	120	90	65	0	-
MCU15S	120	90	65	0	-
MCU20S	200	170	130	80	0



USA  
293 WRIGHT STREET, DELAVAN, WI 53115 WWW.FEMYERS.COM  
PH: 888-987-8677 ORDERS FAX: 800-426-9446

CANADA  
490 PINEBUSH ROAD, UNIT 4, CAMBRIDGE, ONTARIO N1T 0A5  
PH: 800-363-7867 ORDERS FAX: 888-606-5484

Because we are continuously improving our products and services, Pentair reserves the right to change specifications without prior notice.