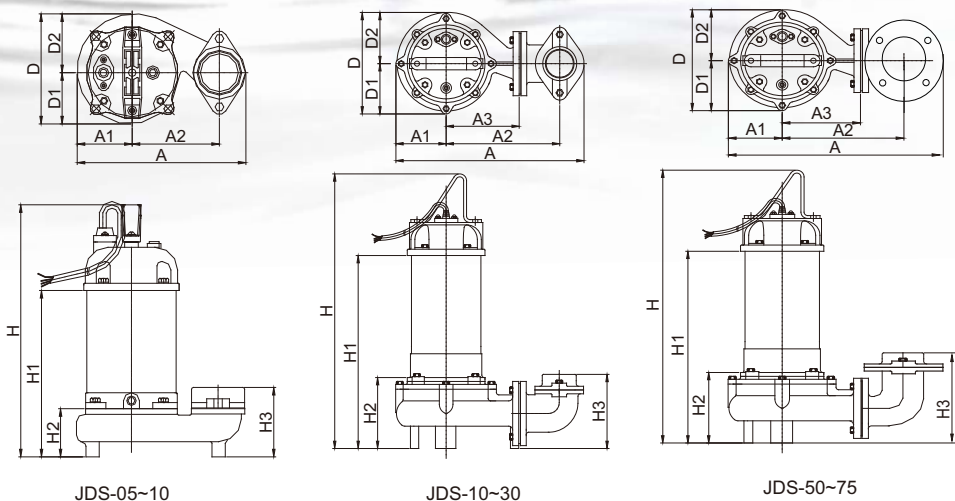


## JDS-Series Dimensions



| Dimensions (mm) |     |     |     |     |     |     |     |     |     |     |     |
|-----------------|-----|-----|-----|-----|-----|-----|-----|-----|-----|-----|-----|
| Type            | A   | A1  | A2  | A3  | D   | D1  | D2  | H   | H1  | H2  | H3  |
| JDS-05          | 228 | 73  | 155 | NA  | 150 | 69  | 81  | 412 | 297 | 117 | 138 |
| JDS-10          | 228 | 73  | 155 | NA  | 150 | 69  | 81  | 487 | 345 | 117 | 138 |
| * JDS-10        | 312 | 82  | 183 | 101 | 163 | 76  | 87  | 494 | 351 | 124 | 156 |
| JDS-20          | 390 | 103 | 235 | 151 | 210 | 105 | 105 | 532 | 400 | 150 | 152 |
| JDS-30          | 390 | 103 | 235 | 151 | 210 | 105 | 105 | 552 | 420 | 150 | 152 |
| JDS-50          | 470 | 110 | 257 | 170 | 218 | 98  | 120 | 633 | 468 | 160 | 206 |
| JDS-75          | 470 | 110 | 257 | 170 | 218 | 98  | 120 | 673 | 508 | 160 | 206 |

- » Note1 : Automatic models are available in single-phase versions(0.5~1HP) and in three-phase versions(0.5~2HP).
- » Note2 : Q.D.C. (Quick Discharge Connection) is applied to all models.
- » Note3 : \*JDS-10 is Elbow Type.



# JDS

## SERIES 60HZ

Submersible Vortex Sewage Pump



# JDS SERIES 60HZ

Submersible Vortex Sewage Pump

## Feature

- / Vortex Impeller / Non-clogging
- / Minimized abrasive wear
- / Large impeller clearance
- / Maintenance free
- / Double Mech. Seal

## Application

- / Medium concentration Wastewater
- / Heavy duty

## Specifications

|                    |                 |                       |
|--------------------|-----------------|-----------------------|
| Liquid Temperature |                 | 0~40°C (32~104°F)     |
| Submersible depth  |                 | 10M                   |
| <b>Motor Part</b>  | Frequency       | 60Hz                  |
|                    | Pole            | 2 Pole                |
|                    | Type            | Dry Motor             |
|                    | Insulation      | Class E               |
|                    | Protection      | IP 68                 |
| <b>Pump Part</b>   | Protector       | Auto-cut              |
|                    | Bearing         | Ball Type             |
|                    | Mechanical seal | Dual. Mechanical Seal |
|                    | Impeller        | Vortex                |



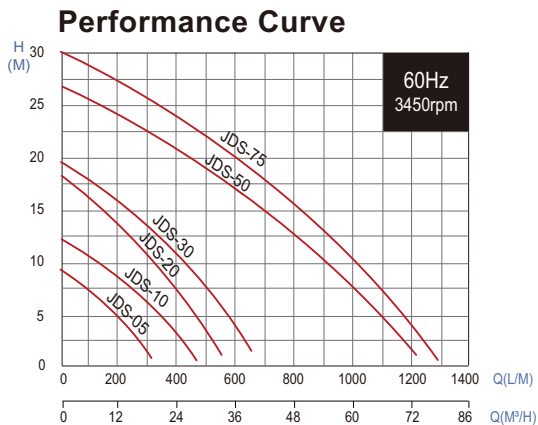
JDS-05



JDS-20

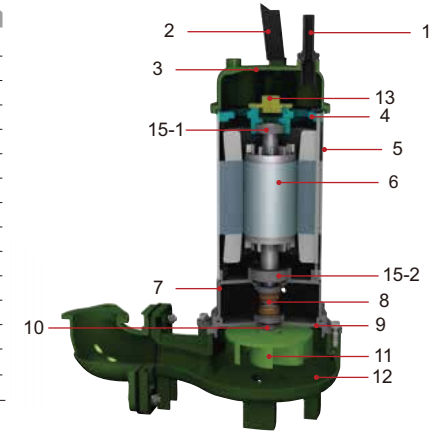


Vortex Impeller

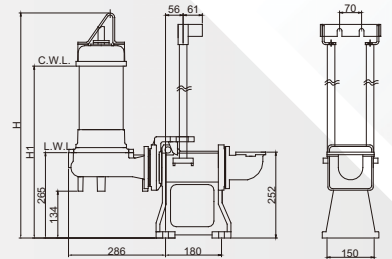
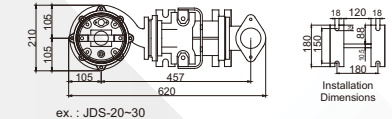
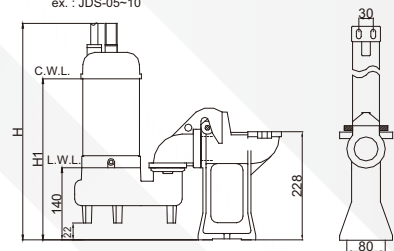
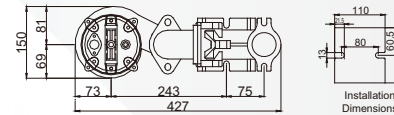


## Parts and Material List

| No   | Part             | Material   |
|------|------------------|--|
| 1    | Cable            | H07RN-F/SJTOW/STOW   |
| 2    | Handle           | Nylon 6/SS41   |
| 3    | Motor Cover      | Nylon 66 / FC 200  |
| 4    | Bracket          | FC 200   |
| 5    | Motor Housing    | SUS 304  |
| 6    | Shaft with Rotor | SUS 410  |
| 7    | Oil Chamber      | FC 200   |
| 8    | Double Mech.Seal | Upper : CA / CE<br>Lower : CA / CE(0.5-3HP);SIC / SIC(5-7.5HP) |
| 9    | Seal Housing     | FC 200   |
| 10   | Oil Seal         | NBR  |
| 11   | Impeller         | FC 200   |
| 12   | Pump Casing      | FC 200   |
| 13   | Protector        |  |
| 15-1 | Upper Bearing    | NTN  |
| 15-2 | Lower Bearing    | NTN  |



## JDS-Series with QS / QM



### JDS with QS Q.D.C

| Output |      | Discharge |    | Dimensions(mm) |     |
|--------|------|-----------|----|----------------|-----|
| HP     | KW   | Inch      | mm | H              | H1  |
| 0.5    | 0.37 | 2"        | 50 | 434            | 319 |
| 1      | 0.75 | 2"        | 50 | 509            | 367 |

### JDS with QM Q.D.C

| Output |     | Discharge |         | Dimensions(mm) |     |
|--------|-----|-----------|---------|----------------|-----|
| HP     | KW  | Inch      | mm      | H              | H1  |
| 2      | 1.5 | 2"(3")    | 50(80)  | 715            | 545 |
| 3      | 2.2 | 2"(3")    | 50(80)  | 735            | 565 |
| 5      | 3.7 | 3"(4")    | 80(100) | 775            | 597 |
| 7.5    | 5.5 | 3"(4")    | 80(100) | 815            | 637 |

## Data Chart

| Type   | Output |      | Discharge | F.L.A.  |         | Rated | Maximum | Cable | Free Passage | Weight | Q.D.C. |        |          |
|--------|--------|------|-----------|---------|---------|-------|---------|-------|--------------|--------|--------|--------|----------|
|        | HP     | KW   |           | 1ø 230V | 3ø 460V |       |         |       |              |        |        | Head m | Cap. LPM |
| JDS-05 | 0.5    | 0.37 | 2"        | 4       | 1       | 6     | 180     | 9.1   | 334          | 5      | 35     | 13.2   | QS-50    |
| JDS-10 | 1      | 0.75 | 2"        | 6       | 1.5     | 9     | 225     | 12    | 480          | 5      | 35     | 18     | QS-50    |
| JDS-20 | 2      | 1.5  | 2"(3")    | 12      | 3       | 11    | 300     | 18    | 590          | 5      | 45     | 34.7   | QM-80    |
| JDS-30 | 3      | 2.2  | 2"(3")    | -       | 4.3     | 12    | 400     | 19.5  | 680          | 5      | 45     | 35.8   | QM-80    |
| JDS-50 | 5      | 3.7  | 3"(4")    | -       | 7.5     | 17    | 570     | 27    | 1250         | 10     | 45     | 56     | QM-100   |
| JDS-75 | 7.5    | 5.5  | 3"(4")    | -       | 10.5    | 26    | 550     | 30    | 1290         | 10     | 45     | 62     | QM-100   |

» JDS-05 : Flange Type

» JDS-10 : Flange Type / Elbow Type (2" or 3" / Fit with Q.D.C. QM-80)

» JDS-20-30 : Elbow Type

» JDS-50-75 : Elbow Type